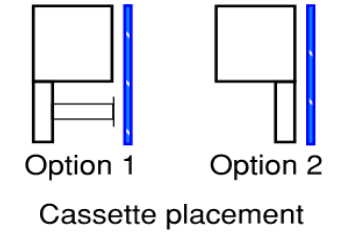
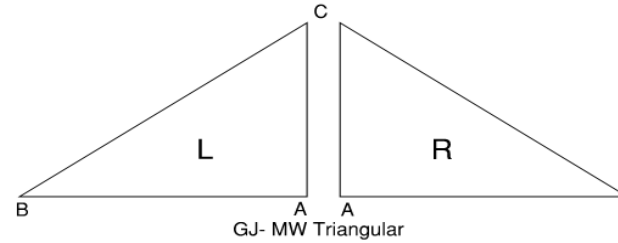
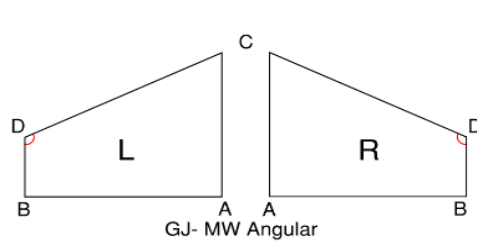
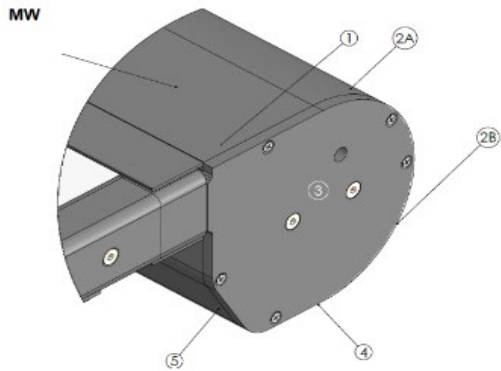
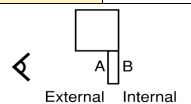


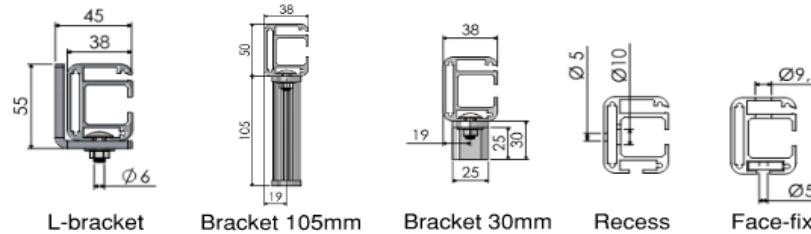
Orderform GJ- MW Angular 400 / GJ- MW Triangular 2000-R

Contact details		Order details		Delivery details	
Company		Order no.		Delivery address	
Contact		Quote no.		Contact	
Phone		Project		Instructions	



Pos	Location	System dimensions in mm (including cassette and guides)					Installation		Colour		Motor side		
		Internal/External	Version	Width AB	Height BD	Height AC	Angle D	Cassette placement	Fixing	RAL	Gloss	A	Cable output
1												x	
2												x	
3												x	
4												x	
5												x	

Fabric	
Fabric type	
Colour code	
Fabric front	
Zip colour	
	Please select fabric front based on image



Motor	
Type	
Voltage	230v (standard)
Remote	
Cable	
Extra's	
Accessories	

Extra instructions