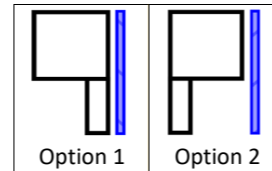


Orderform GJ- SZ Square (round cassette)

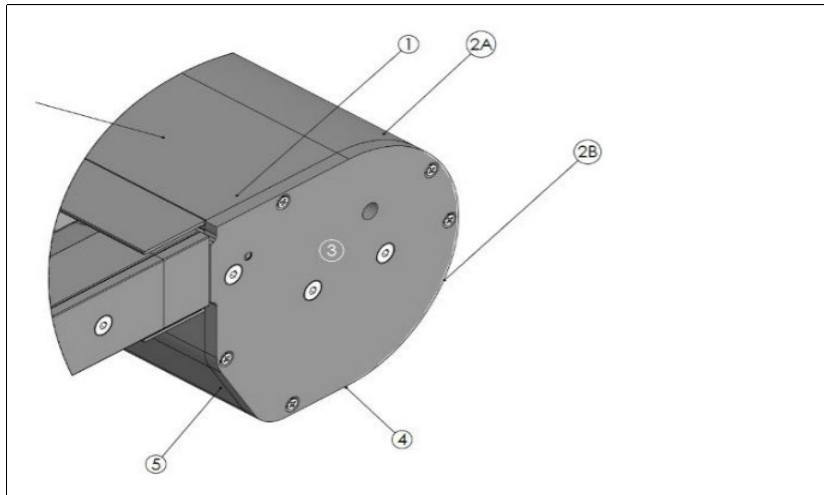
Contact details		Order details		Delivery details	
Company		Order no.		Delivery address	
Contact		Quote no.		Contact	
Phone		Project		Instructions	

Location
Internal
External

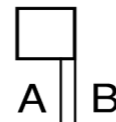
Type	Cassette placement
Square 145mm round box	



Pos	System dimensions in mm		Installation			Colour		Motor side	
	Width	Draw	Fixing	Pre-drilling	Extra	RAL	Gloss	L/R	Cable output
1									
2									
3									
4									
5									
6									
7									
8									
9									
10									



Fabric	
Fabric type	
Colour code	
Fabric front	
Zip colour	



Motor	
Type	
Voltage	230v 110v
Remote	
Extra's	
Accessories	

Extra instructions