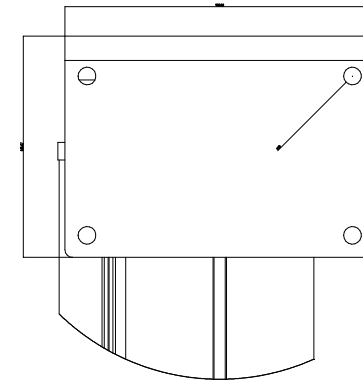
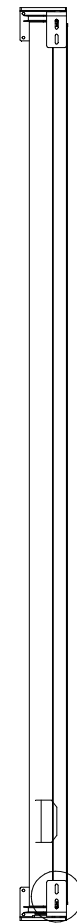


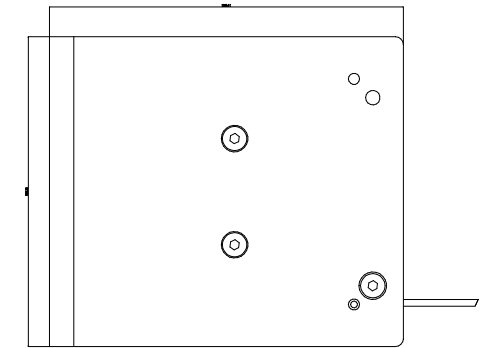
B



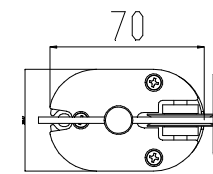
C



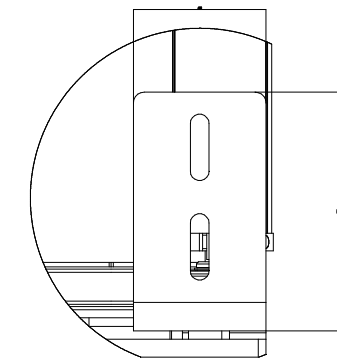
DETAIL A
SCALE 1 : 3




DETAIL B
SCALE 1 : 3



DETAIL C
SCALE 1 : 3



DETAIL D
SCALE 1 : 3

GUILLAUME JANSSEN	MATERIAL: Extruded Aluminium	CLIENT: D.N.A.	DATE: 2023
 GUILLAUME JANSSEN VISIONARY BLINDS & FABRICS	TITLE / REFERENCE GJ - MW SQAURE - S		
	DWG. NO. GJ - MW SERIE SECTION DRAWING		REV 1
SCALE: 1:2	FINISH: COATED / ANODIZED / MILLED	DRAWN: GJBV	SHEET 1 OF 1